

CotoMOS® C247S/C347S

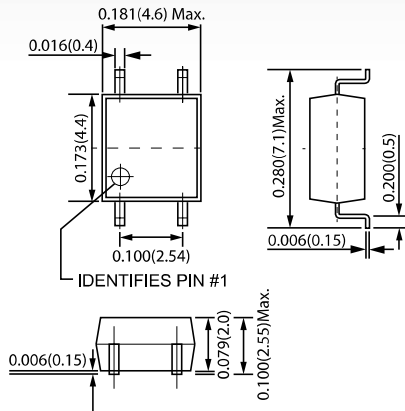
The C247S and C347S feature high current switching capability to 1.25A with a low on resistance of 0.5Ω Maximum. Designed for Security, Measurement and Instrumentation applications the CotoMOS® relay is capable of handling 80V load conditions. If your requirements are different please contact your Coto Applications Engineer for assistance through www.cotorelay.com.

C247S/C347S Features

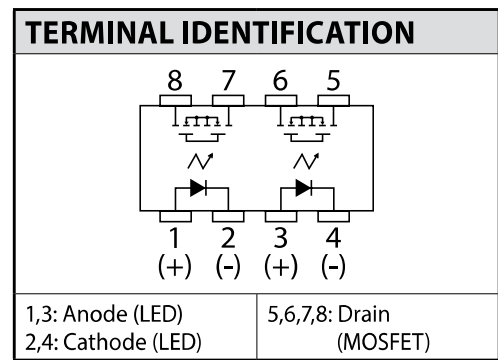
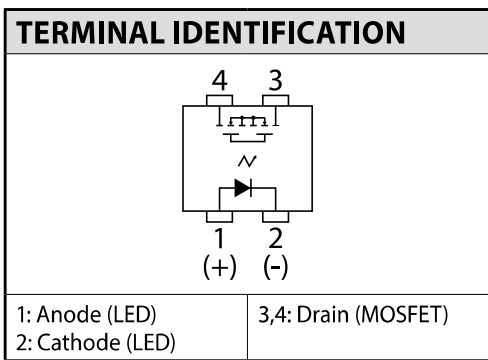
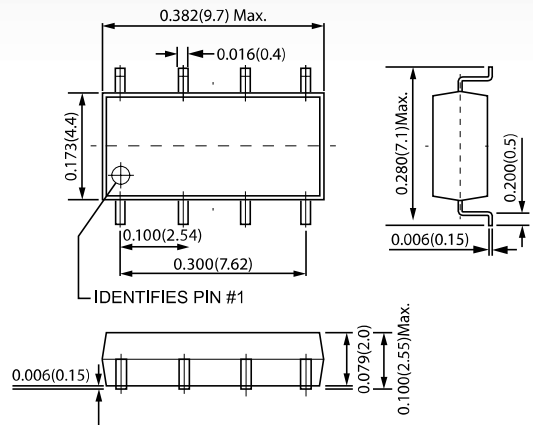
- ▶ Contact Form: C247S: 1A / C347S: 2A
- ▶ Load Voltage: 80V Maximum
- ▶ Operation LED Current: 3.0mA Maximum
- ▶ Load Current: C247S: 1.25A Maximum / C347S: 1.0A Maximum
- ▶ On-Resistance: 0.15Ω Typical
- ▶ Output Capacitance: 190pF Typical
- ▶ Low Off-State Leakage Current: 1.0μA Maximum

DIMENSIONS
in Inches (Millimeters)

C247S



C347S



C247S/C347S MAXIMUM RATINGS (Ambient Temperature: 25°C)

Parameters	Symbol	Units	Value
INPUT SPECIFICATIONS			
Continuous LED Current	I_F	mA	50
Peak LED Current	I_{FP}	mA	500
LED Reverse Voltage	V_R	V	5
Input Power Dissipation	P_{in}	mW	75
OUTPUT SPECIFICATIONS			
Load Voltage	V_L	V (AC peak or DC)	80
Load Current	I_L	A	1.25 (1Ch) / 1.0 (2Ch)
Peak Load Current	I_{Peak}	A	3.0
Output Power Dissipation	P_{out}	mW	350 (1Ch) / 450 (2Ch)
RELAY SPECIFICATIONS			
Total Power Dissipation	P_T	mW	400 (1Ch) / 500 (2Ch)
I/O Breakdown Voltage	$V_{I/O}$	V _{rms}	1500
Operating Temperature	T_{opr}	°C	-40 ~ +85
Storage Temperature	T_{stg}	°C	-40 ~ +100

C247S/C347S ELECTRICAL SPECIFICATIONS (Ambient Temperature: 25°C)

Parameters	Symbol	Test Conditions	Units	Min	Typ	Max
INPUT						
LED Forward Voltage	V_F	$I_F=10mA$	V	1.0	1.37	1.5
Operation LED Current	$I_{F on}$		mA		1.2	3.0
Recovery LED Voltage	$V_{F off}$		V	0.5		
OUTPUT						
On-Resistance Drain to Drain	R_{On}	$I_F=5mA, I_L=Rating$ Time to flow is within 1 sec.	Ω		0.15	0.5
Off-State Leakage Current	I_{Leak}	$V_L=80V$	μA			1.0
Output Capacitance	C_{Out}	$V_L=0V, f=1MHz$	pF		190	
TRANSMISSION						
Turn-On Time	T_{On}	$I_F=5mA, I_L=Rating$	ms		0.6	5.0
Turn-Off Time	T_{Off}		ms		0.06	0.5
COUPLED						
I/O Insulation Resistance	$R_{I/O}$		Ω	10^9		
I/O Capacitance	$C_{I/O}$	$f=1MHz$	pF		1.3	

Environmental Ratings:

Operating Temp: -40°C to +85°C; Storage Temp: -40 to +100°C.
All electrical parameters measured at 25°C unless otherwise specified.

C247S/C347S GRAPHS

