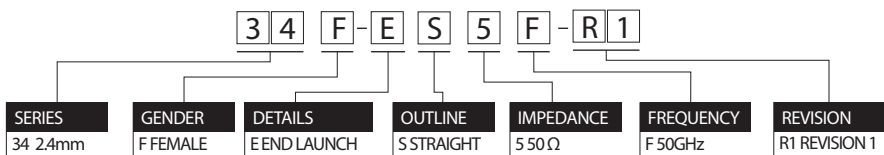


**PART NUMBER DESCRIPTION**



**MATERIAL AND FINISH**

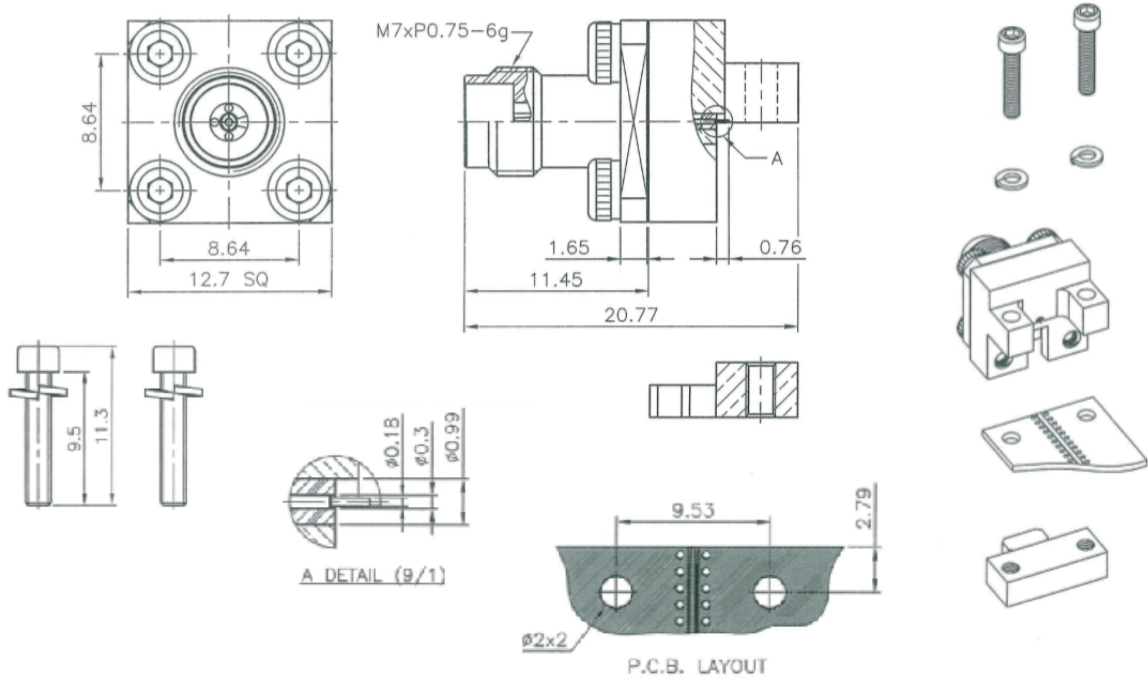
|                | MATERIAL         | FINISH      |
|----------------|------------------|-------------|
| CENTER CONTACT | BERYLLIUM COPPER | 50μ" GOLD   |
|                | BERYLLIUM COPPER | 30μ" GOLD   |
| INSULATOR      | ULTEM 1000       | AMBER       |
|                | PTFE             | WHITE       |
| OUTER CONTACT  | STAINLESS STEEL  | PASSIVATED  |
|                | BRASS            | 70μ" NICKEL |
| BOLT           | STAINLESS        |             |
| WASHER         | STAINLESS        |             |

**ELECTRICAL**

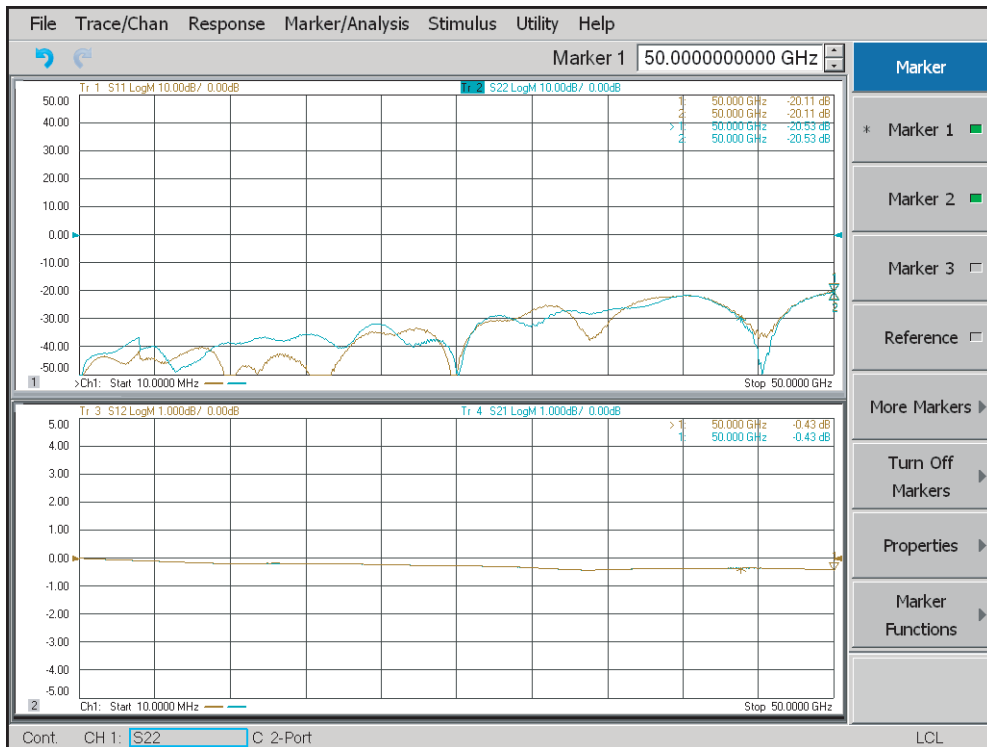
|           | TEST CONDITION | SPECIFICATIONS |
|-----------|----------------|----------------|
| IMPEDANCE | DC ~ 50 GHz    | 50 Ω           |
| VSWR      | DC ~ 50 GHz    | 1.2 MAX        |



STANDARD DIMENSIONS



TEST REPORT



**RAPIDTEK**  
RF COAXIAL PRODUCTS

Rapidtek Technologies Inc.  
<http://www.rapidtek.net>

TWN0200610050004  
Ver.01 ; 20180620