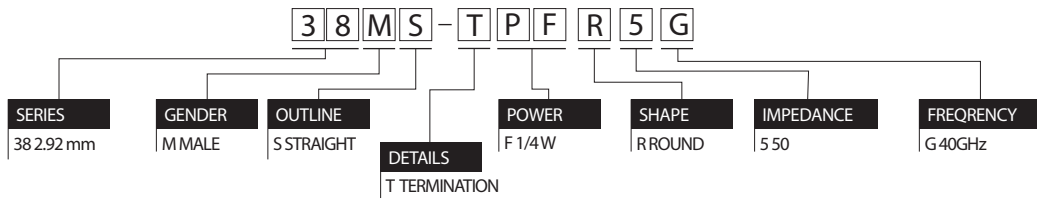


**PART NUMBER DESCRIPTION**



**MATERIAL AND FINISH**

	MATERIAL	FINISH
CENTER CONTACT	BERYLLIUM COPPER	50μ" GOLD
INSULATOR	PEEK	NATURAL
OUTER CONTACT	STAINLESS STEEL	PASSIVATED
RESISTOR	50ohms ±1% 1/4 W	
BODY	BRASS	3μ" GOLD

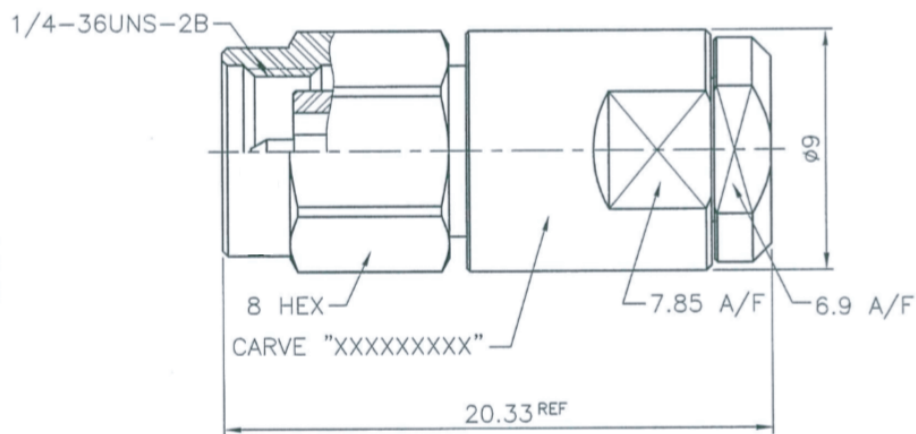
**MECHANICAL**

	TEST CONDITION	SPECIFICATIONS
COUPLING PROOF TORQUE	N/A	1.7 Nm Min

**ELECTRICAL**

	TEST CONDITION	SPECIFICATIONS
IMPEDANCE	DC ~ 40 GHz	50 Ohms
VSWR	DC ~ 40 GHz	1.2 Max

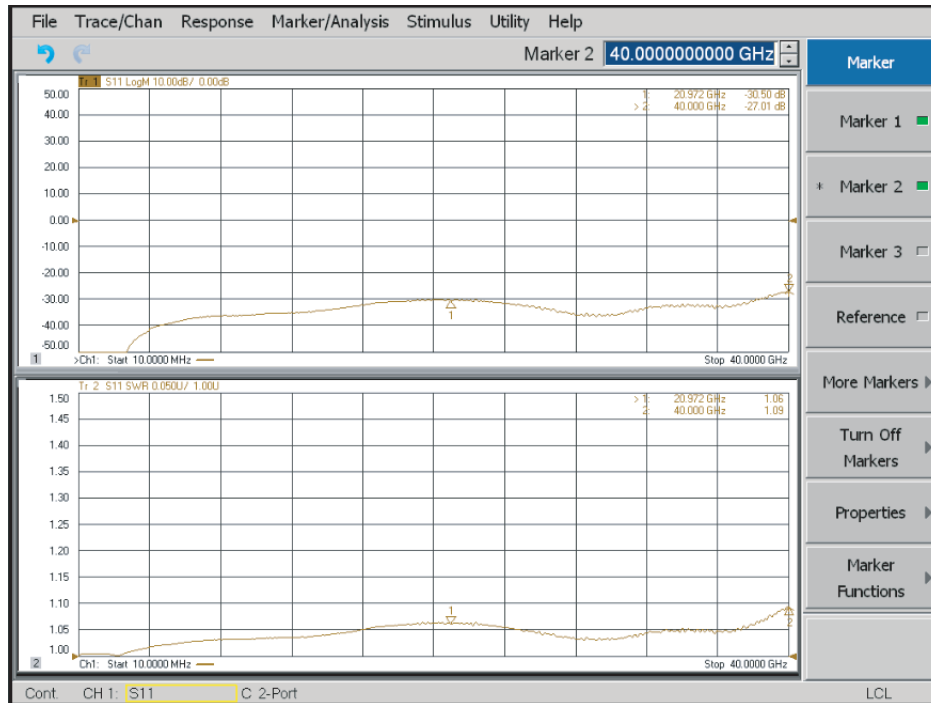
**STANDARD DIMENSIONS**



**RAPIDTEK**  
RF COAXIAL TERMINATIONS

Rapidtek Magnetic Devices Inc.  
<http://www.rapidtek.net>  
 Tel : 02 - 8698 - 1068  
 Fax : 02 - 8698 - 1018  
 17F, No.75, Sec. 1, Xintai 5th Rd., Xizhi Dist., New Taipei City 22101, Taiwan

TEST REPORT



38MS-TP2R5G



**RAPIDTEK**  
RF COAXIAL TERMINATIONS

Rapidtek Magnetic Devices Inc.  
<http://www.rapidtek.net>  
 Tel : 02 - 8698 - 1068  
 Fax : 02 - 8698 - 1018  
 17F, No.75, Sec. 1, Xintai 5th Rd., Xizhi Dist., New Taipei City 22101, Taiwan