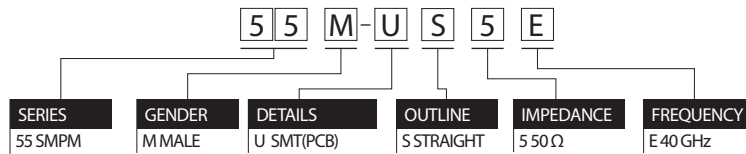


SMPM MALE PCB SMT CONNECTOR

PART NUMBER DESCRIPTION



MATERIAL AND FINISH

|                | MATERIAL         | FINISH    |
|----------------|------------------|-----------|
| CENTER CONTACT | BERYLLIUM COPPER | 50μ" GOLD |
| INSULATOR      | TORLON           | BROWN     |
| OUTER CONTACT  | BRASS            | 50μ" GOLD |

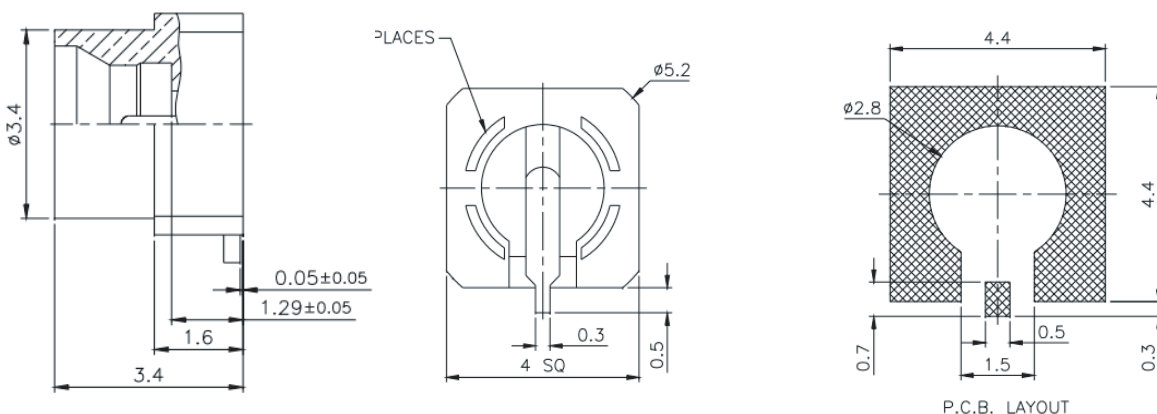
MECHANICAL

|                    | TEST CONDITION | SPECIFICATIONS  |
|--------------------|----------------|-----------------|
| FORCE TO ENGAGE    | N/A            | 19N MAX         |
| FORCE TO DISENGAGE | N/A            | 29N MAX         |
| MATING CYCLE       | N/A            | 500 CYCLES MAX. |

ELECTRICAL

|                       | TEST CONDITION        | SPECIFICATIONS |
|-----------------------|-----------------------|----------------|
| IMPEDANCE             | DC ~ 40 GHz           | 50 Ω           |
| CENTER CONTACT        | DC 0.2V, 1A           | 6m Ω ( MAX )   |
| OUTER CONTACT         | DC 0.2V, 1A           | 2m Ω ( MAX )   |
| INSULATION RESISTANCE | DC 500 V, TIME: 60sec | 5000MΩ ( MIN ) |

STANDARD DIMENSIONS



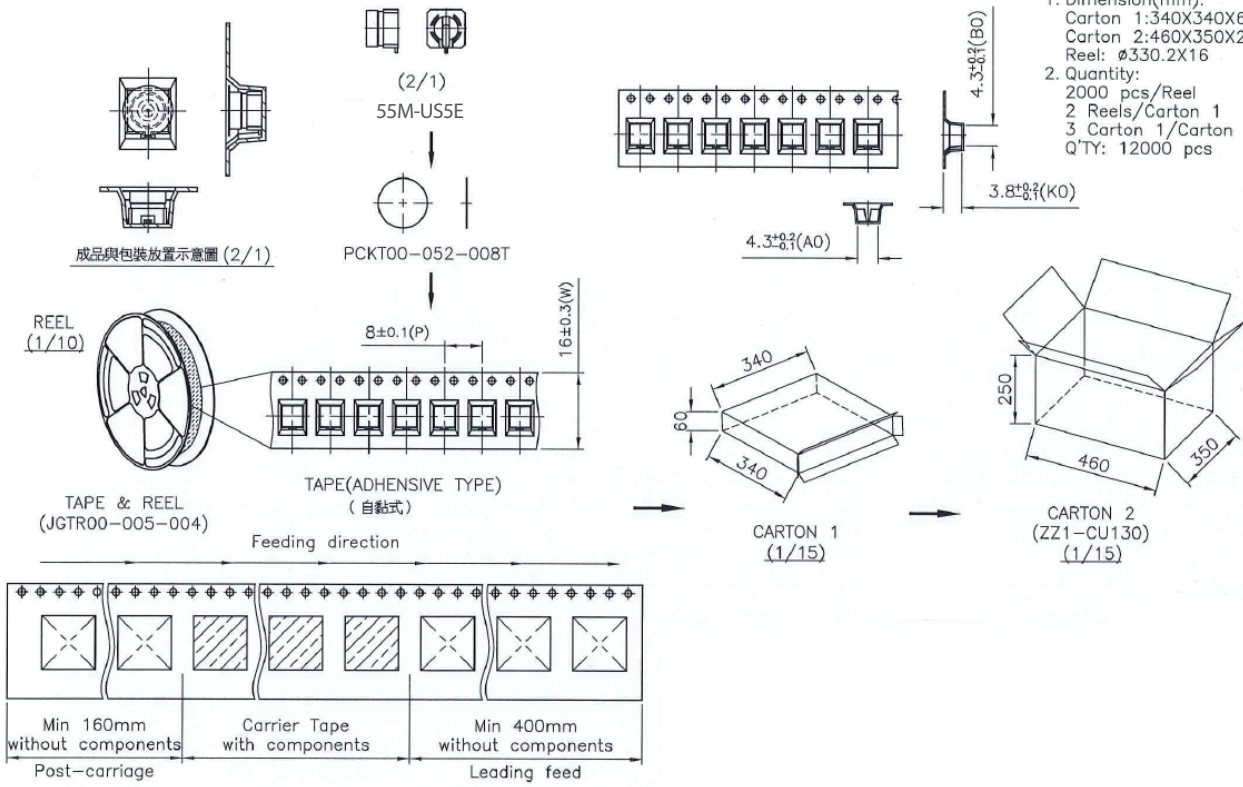
**RAPIDTEK**  
RF COAXIAL PRODUCTS

Rapidtek Magnetic Devices Inc.  
<http://www.rapidtek.net>  
 Tel : 02 - 8698 - 1068  
 Fax : 02 - 8698 - 1018  
 17F, No.75, Sec. 1, Xintai 5th Rd., Xizhi Dist., New Taipei City 22101, Taiwan

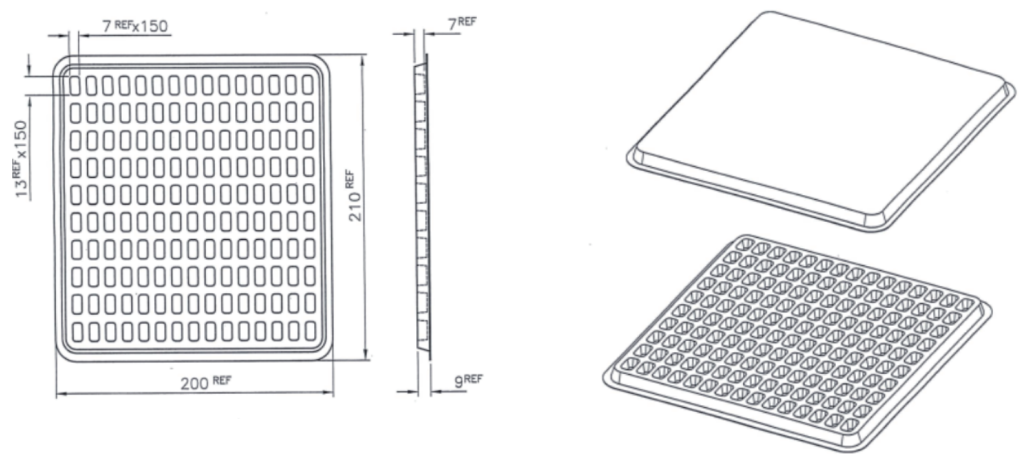
TAPE & REEL

REMARK: PASTE PI FILM(PCKT00-052-008T)  
(代貼PI FILM)

- NOTES:
- Dimension(mm):  
Carton 1:340X340X60  
Carton 2:460X350X250  
Reel:  $\phi$ 330.2X16
  - Quantity:  
2000 pcs/Reel  
2 Reels/Carton 1  
3 Carton 1/Carton 2  
Q'TY: 12000 pcs



TRAY



**RAPIDTEK**  
RF COAXIAL PRODUCTS

Rapidtek Magnetic Devices Inc.  
<http://www.rapidtek.net>  
Tel : 02 - 8698 - 1068  
Fax : 02 - 8698 - 1018  
17F, No.75, Sec. 1, Xintai 5th Rd., Xizhi Dist., New Taipei City 22101, Taiwan